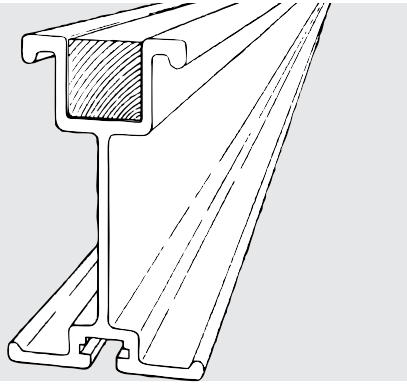


Aluminum Shoring Joist

Technical Data Guide



SHR

- Allowable uniform loads "simply" supported and laterally braced
- Less than 4 lbs. per foot, including nailing strip, makes them easy to carry and install.
- Reduces labor costs. Lowers transportation costs.
- Can be used as either a joist or stringer.
- 2" x 2" nailing strip for easy plywood attachment. Factory installed. Field replaceable.
- Reverse flange stiffening reduces damage during handling.
- The channel on the underside of the beam accepts the "ABC" aluminum beam clamp or a ½" hex. head bolt.
- 4" wide flange fits standard 4" wide U-head on shoring jacks and post shores. Allows side-by-side installation in 8" wide U-heads. Nests for compact shipment.
- 6½" height compatible with other joists.

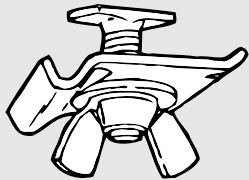
SAFWAY®

Loads and Bracing

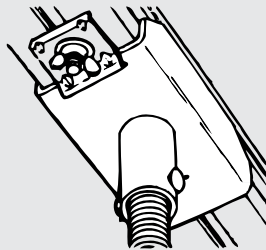
Span and Load Capacities

Simple Span (ft.)	4'	5'	6'	7'	8'	9'	10'	11'	12'
Total Load* (lbs./ft.)	2500	2100	1475	960	645	450	330	245	190

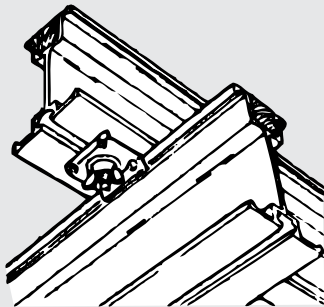
*Total load includes weight of formwork and concrete plus an additional 25% for live load. Deflection is limited to Length/360 calculated on dead load only. Minimum factor of safety is 2.2:1.



"ABC" Aluminum Beam Clamp



Stringer to U-Head



Joist to Stringer



Safway® ALJ Aluminum beams can be used as both joists and stringers.

All drawings on this sheet are for illustrative purposes only. This sheet is intended for general information purposes only. Because of the many variables which affect the performance of the product line, some of the information in this brochure may not apply. For specific applications, contact Safway Services.

NOTE: Erection, use, maintenance and disassembly must conform to current manufacturer's instructions as well as all federal, state, provincial and local regulations. Copies of complete Safety Guidelines for these and other products are available from Safway without charge.

Safway Services, LLC
 Corporate Headquarters
 N19 W24200 Riverwood Drive
 Waukesha, WI 53188
 Toll free: (800) 558-4772
 Telephone: (262) 523-6500

Safway Services Canada, Inc.
 11237 – 87 Avenue
 Fort Saskatchewan, Alberta T8L 2S3 Canada
 Toll free: (866) 842-4424
 Telephone: (780) 992-1929

For a list of branch locations in the United States and Canada, visit our website at www.safway.com